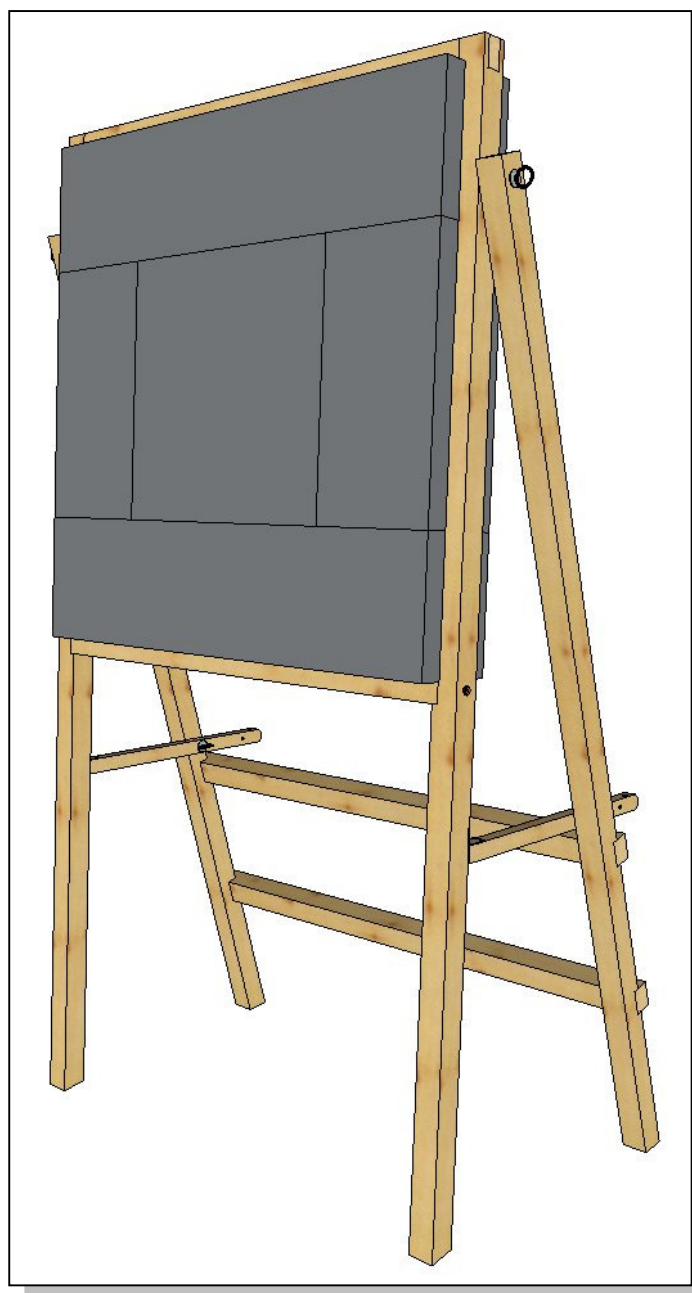
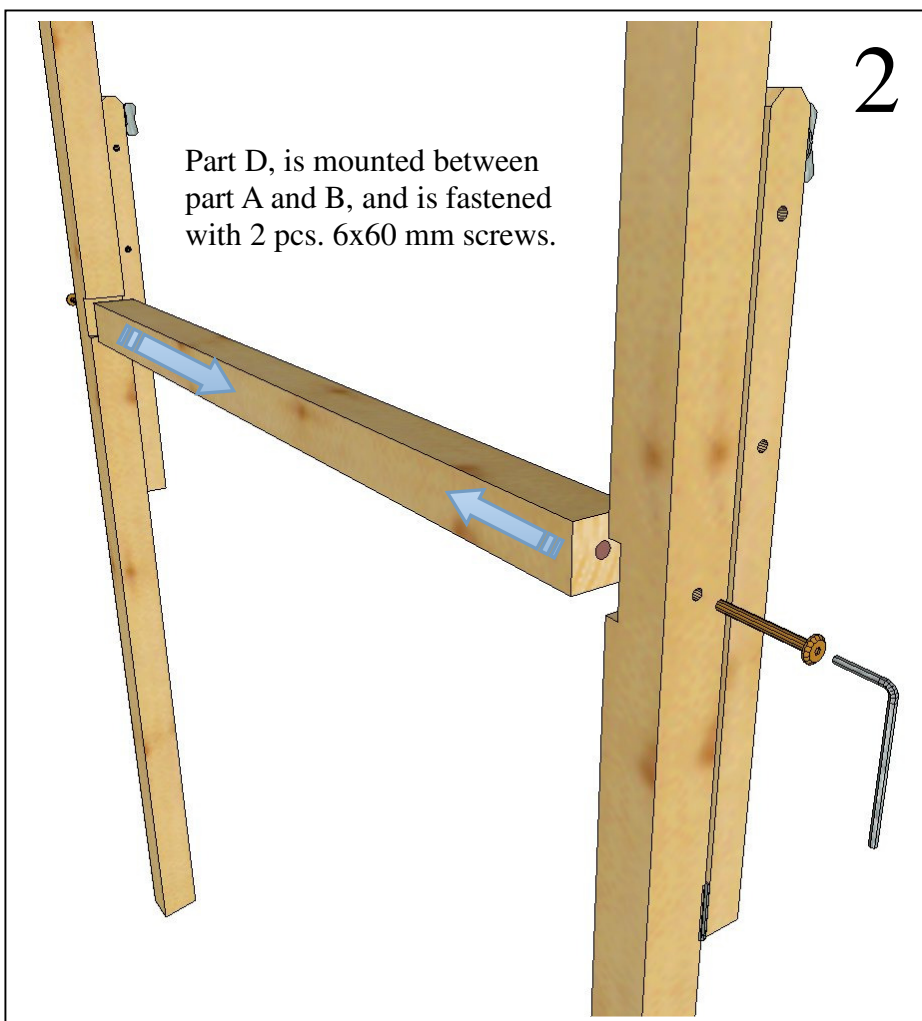
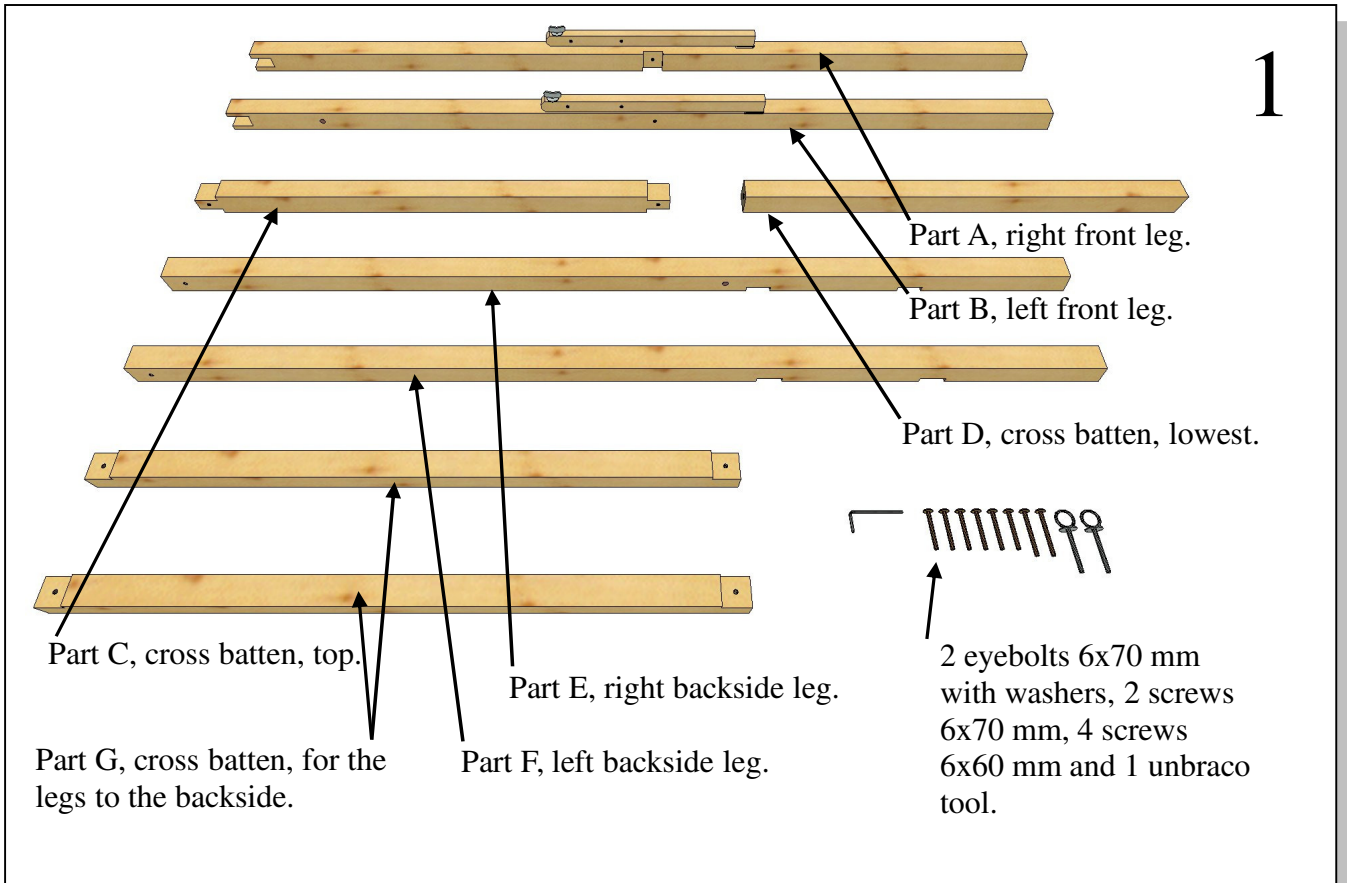
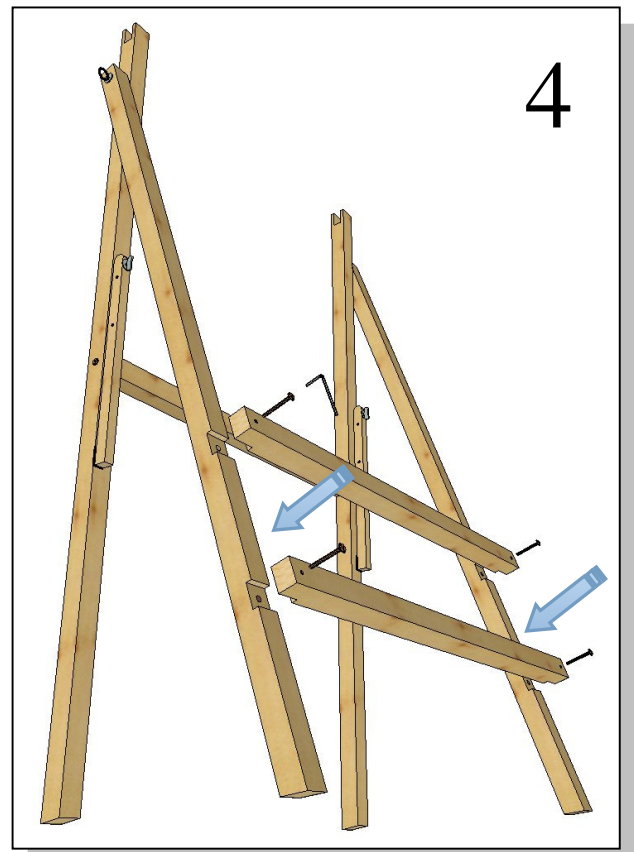
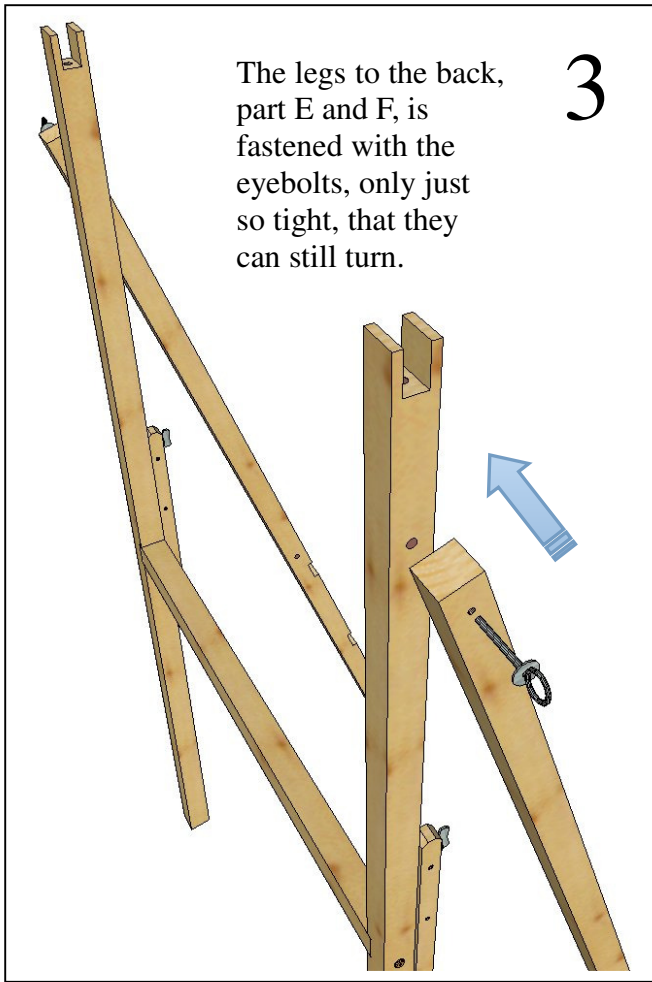


# DANAGE NO FRAME Target type C.

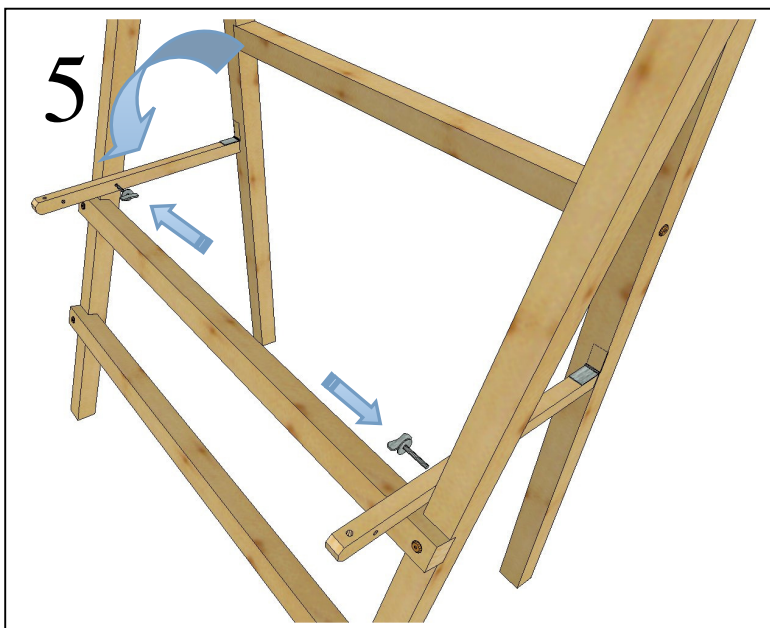
## Assembly Instructions



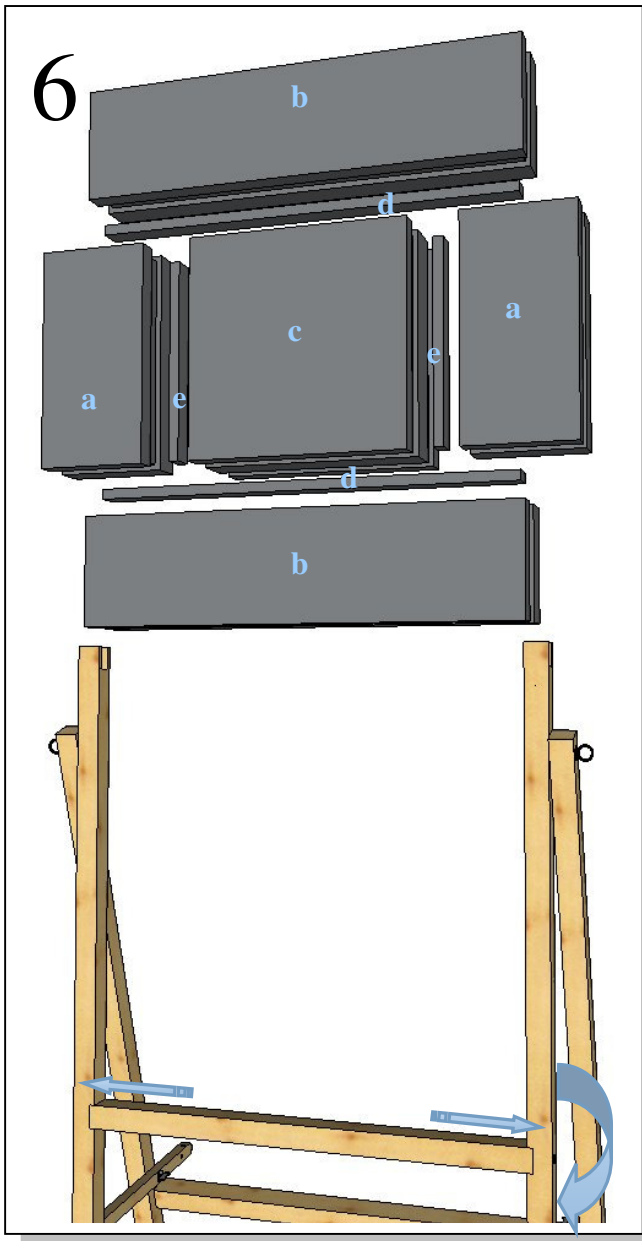




4. Part G, cross batten, for the legs to the backside, are fastened to these, with 2 pcs. 6x60 mm screws.



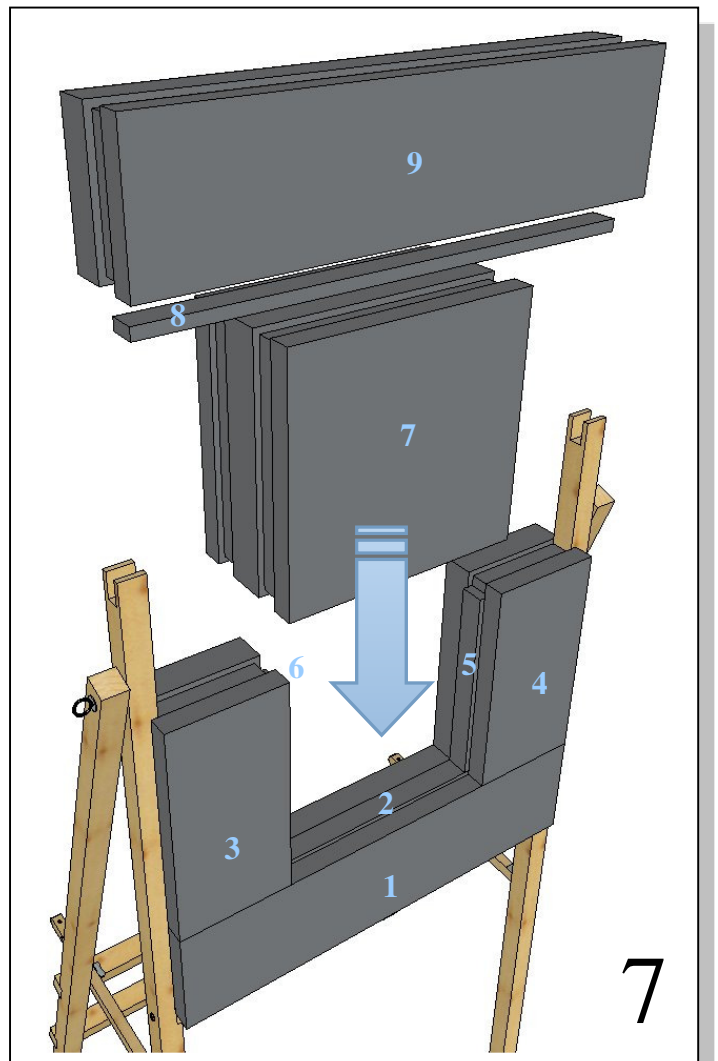
5. The wing screw can be used to hold the adjustment batten under transportation or while storing the target, while it is folded, by fastening it in the bushing at the backside of the front leg. See also point 10. The wing screw is screwed out of the transportation position and the adjustment batten is turned down, and can then be fastened to the back legs in the desired position. The inner hole gives the target a angle of 3 degrees and the outer hole gives the target a angle of 8 degrees. The inner position is used when shooting at short distances and the outer position is used for longer distances.

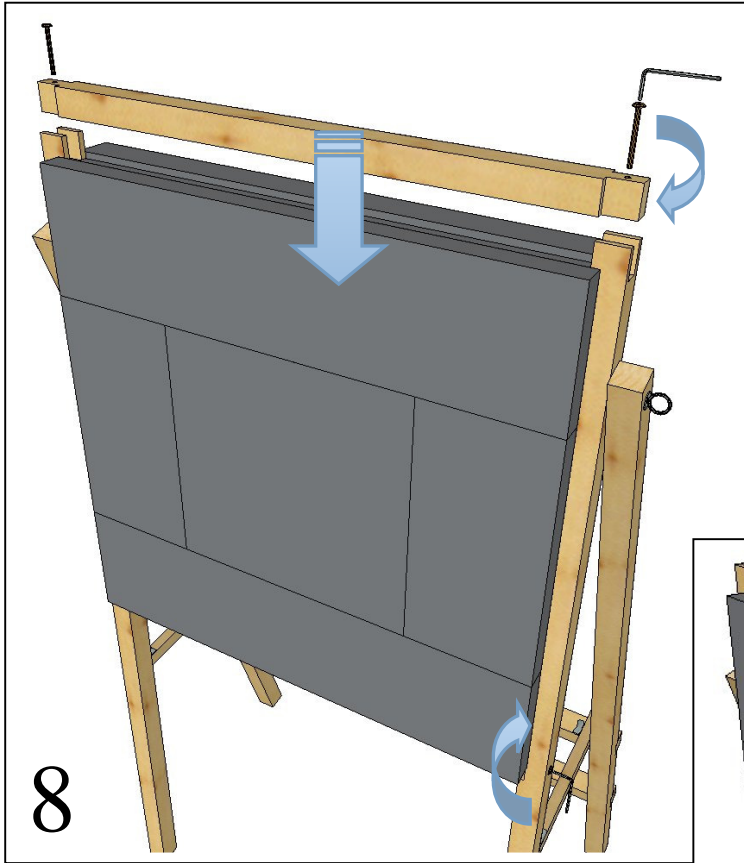


6. Now the target matt itself is to be mounted. Type C consists of a) 2 pcs. 22x44 cm, b) 2 pcs. 88x22 cm, c) 1 pcs. 44x44 cm d) 2 long infill parts and e) 2 short infill parts. In this example the foam parts around the center module are shown as 14,5 cm while the center is 24,5 cm thick. The center module, can also be 24 cm thickness UP-foam module.

First the screws for the front cross batten are loosened a few millimeters, t.ex. 5 mm, so that it becomes easier to mount the foam modules.

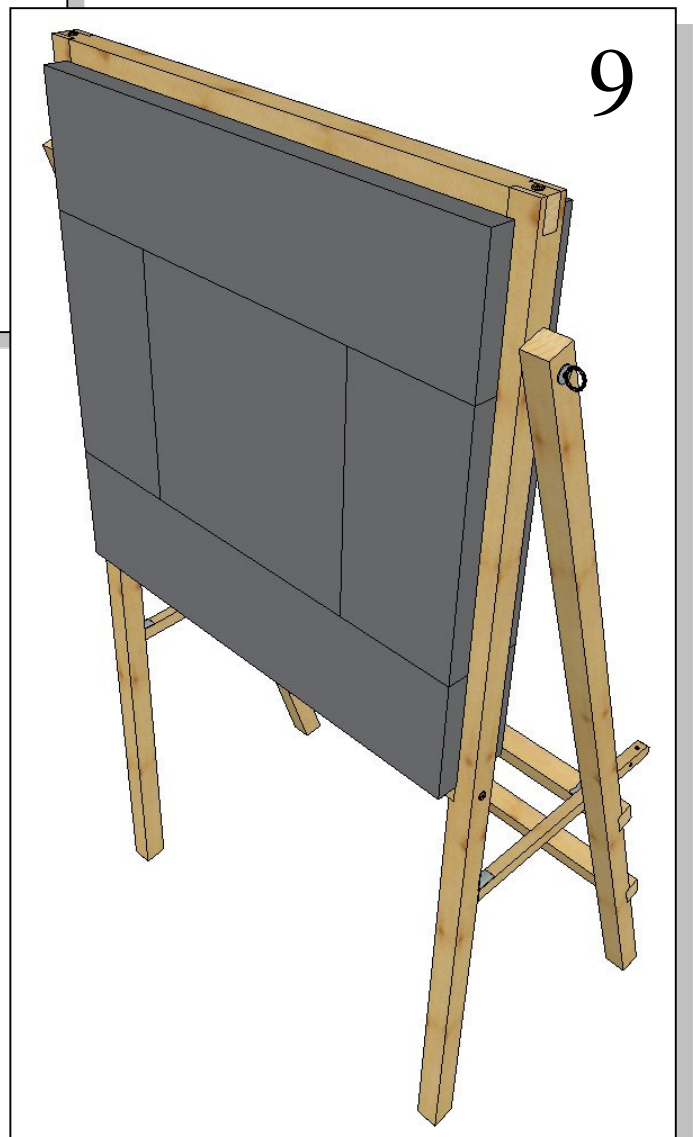
7. The foam modules are mounted in their respective places in the target matt.





8. The screws for the lower cross batten are now tightened again.

The top cross batten is fastened tight, with 2 pcs. 6x70 mm screws.



9. The target matt is ready to use.

Enjoy the training!

10. When not in use and just needs to be stored, or perhaps in case it is transported, the target matt stand can be folded together. The wing screws for the adjustment battens are screwed out and the adjustment battens are turned up. In this position the adjustment battens can be fastened to the back of the front legs, with the wing screws.

The eyebolts are loosened a little and the legs can now be turned in. The eyebolts are fastened again, so that the legs stays in this position.

